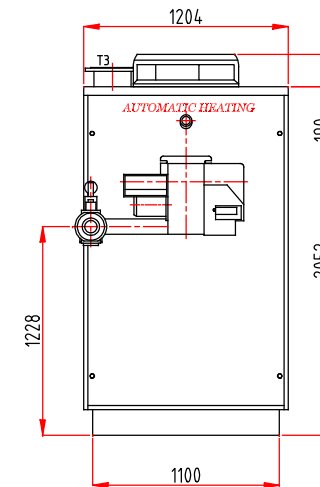
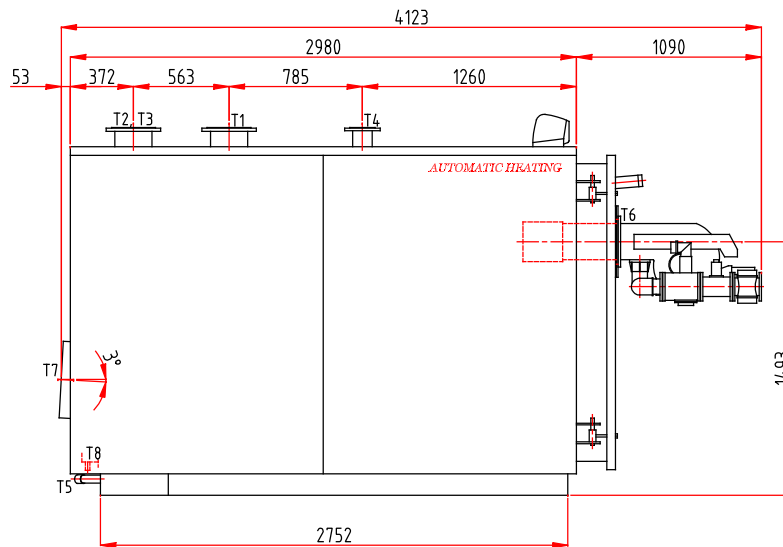
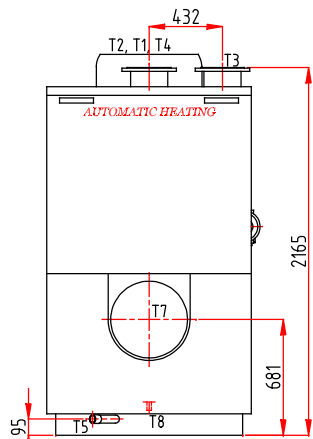
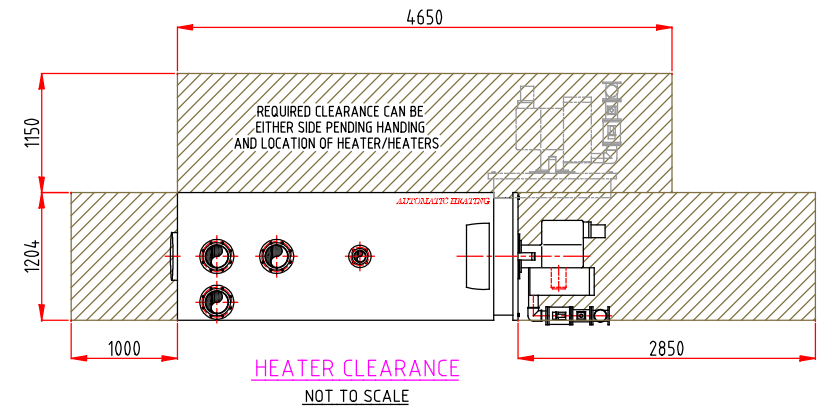
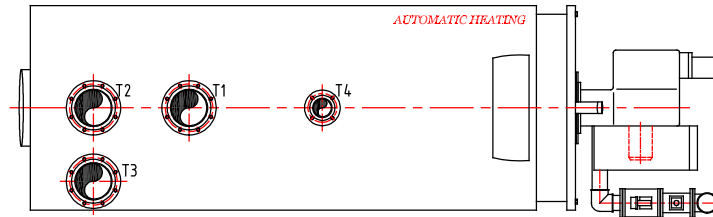


DIMENSIONS ARE CORRECT AT TIME OF PRINTING AND MAY ALTER WITHOUT PRIOR NOTIFICATION

PORT SCHEDULE

PORTS	SIZE	DESCRIPTION
T1	DN200 PN6	C.H. FLOW
T2	DN200 PN6	LOW TEMP C.H. RETURN
T3	DN200 PN6	HIGH TEMP C.H. RETURN
T4	DN100 PN6	EXPANSION VESSEL CONN.
T5	RP 1-1/2	BOILER DRAIN
T6	φ320	BURNER PLATE
T7	φ452	FLUE
T8	φ40	CONDENSATE DRAIN



		NAME: G.ROBERTS		CLIENT:		AUTOMATIC HEATING PTY LTD		SIZE	DRG No.	REV.
		DATE: 14/07/16				67 GATEWAY BOULEVARD		A3	K-1820-B92	A
ORIGINAL ISSUE	G.R.	14/07/16	A	APP:	TITLE: EUROGEN HOT WATER HEATER MODEL K-1820		EPPING, VICTORIA 3076 AUSTRALIA			
MODIFICATION	NAME	DATE	REV	QUOTE No.	C/W GS92 BURNER		Phone : +61 3 9330 3300 Fax : +61 3 9310 5655		SCALE:	1:30